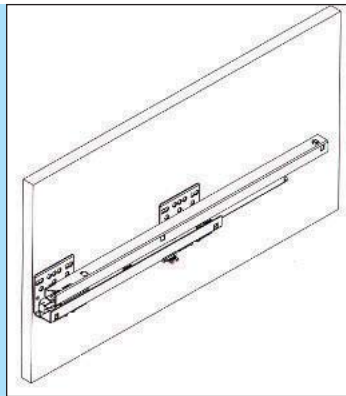
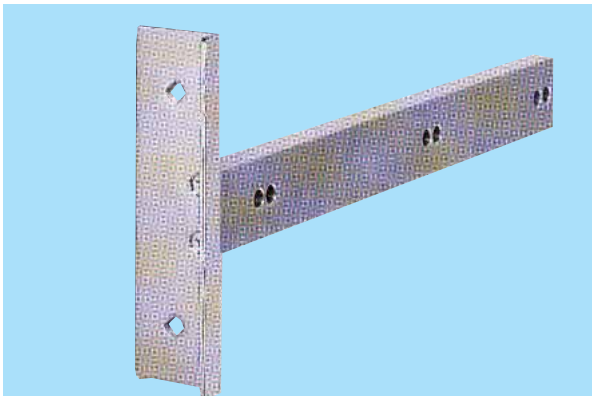


## DWD XP Mounting Jig Front Drilling Jig

- Drilling for jig precise positioning of drawer fronts and side rails.

Length	Art. No.	P/Qty
450 mm	<b>F146 083 259</b>	1



## Side Runner Drilling Jig

- Mounting Jig for precise positioning of side runners onto cabinet side.

Length	Art. No.	P/Qty
450 mm	<b>F146 083 260</b>	1